



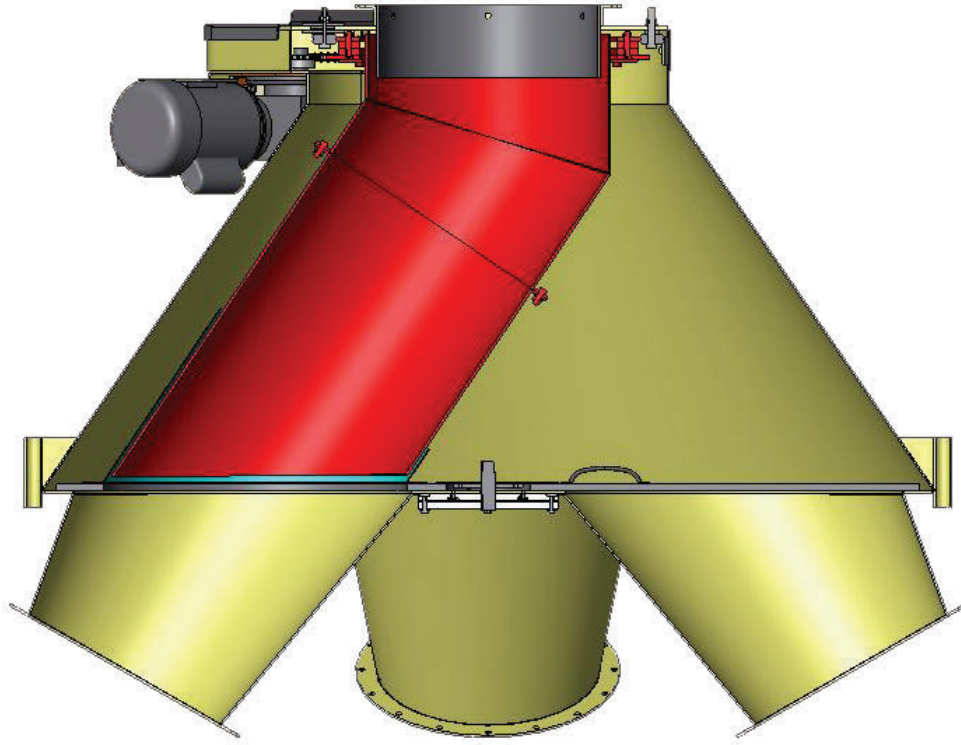
DSC-COMPACT DISTRIBUTOR



DSC-COMPACT DISTRIBUTOR

GENERAL DESCRIPTION

Our **ELECTRIC DISTRIBUTORS** are built with the best components in order to exceed the industry standards. The inner rotating seal covers all the outlets that are not in use, therefore ruling out any risk of cross-contamination. Made of a special polymer, this seal will keep all its properties even when submitted to extreme operating conditions.



PLC Controller (optional)

FEATURES

- Standard models have 3 or 4 outlets
- AR 400 hard steel inner spout (3/16")

OPTIONS

Lining on outlets

PLC Controller

- Can operate up to 10 distributors
- Data entered by operator on digital keypad
- Built-in modem
- Fully compatible

LIMITED GUARANTEE

Our equipment is carrying a one year warranty on parts and labour.

Printed in Québec, Canada



www.lmm.info

Toll free : 1 800 461-6276